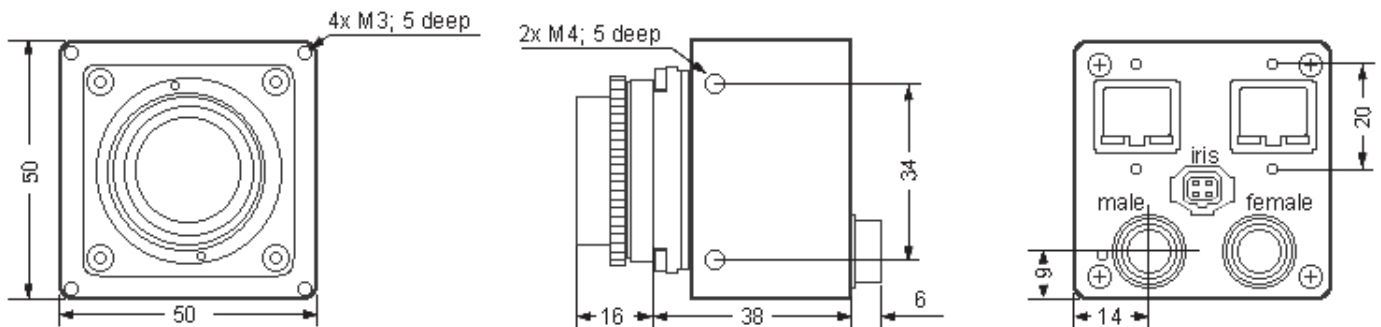


# mvBlueCOUGAR-XD



Dimensions in mm



## Sensors

mvBlueCOUGAR-XD	Resolution (H x V pixels)	Sensor size (optical)	Pixel size (µm)	Frame rate	Sensor-technology	Readout type	ADC resolution / output in bits	Sensor
-102f	G/C 1456 x 1088	1/2.9"	3.45 x 3.45	226.1 / 149.9 <sup>1</sup>	CMOS	Global	12 → 16/12/8	Sony IMX273
-124a	G/C 1936 x 1460	2/3"	4.54 x 4.54	64.5	CCD	Global	14 → 8...16	Sony ICX674
-104b	G/C 2048 x 2048	1"	5.5 x 5.5	140 / 58 <sup>1</sup>	CMOS	Global	10 → 16/12/8	CMOSIS CMV4000
-204b	G/C 2048 x 2048	1"	5.5 x 5.5	27	CMOS	Global	12 → 16/12/8	CMOSIS CMV4000
-104d	G/C 1936 x 1216	1/1.2"	5.86 x 5.86	164 / 105 <sup>1</sup>	CMOS	Global	12 → 16/12/8	Sony IMX174
-104h	G/C 2064 x 1544	1/1.8"	3.45 x 3.45	123 / 75 <sup>1</sup>	CMOS	Global	12 → 16/12/8	Sony IMX252
-105a	G/C 2464 x 2056	2/3"	3.45 x 3.45	80 / 46 <sup>1</sup>	CMOS	Global	12 → 16/12/8	Sony IMX250
-126	G/C 2752 x 2208	1"	4.54 x 4.54	31	CCD	Global	14 → 8...16	Sony ICX694
-126a	G/C 2752 x 2208	1"	4.54 x 4.54	14	CCD	Global	14 → 8...16	Sony ICX695
-107	G/C 3216 x 2208	1.1"	4.5 x 4.5	60.2 / 33.4 <sup>1</sup>	CMOS	Global	12 → 16/12/8	Sony IMX420
-109b	G/C 4112 x 2176	1"	3.45 x 3.45	31.9 / 26.5 <sup>1</sup>	CMOS	Global	12 → 16/12/8	Sony IMX267
-129	G/C 3384 x 2712	1"	3.7 x 3.7	22.2	CCD	Global	14 → 8...16	Sony ICX814
-129a	G/C 3384 x 2712	1"	3.7 x 3.7	9.5	CCD	Global	14 → 8...16	Sony ICX815
-1212a	G/C 4248 x 2836	1"	3.1 x 3.1	7.5	CCD	Global	14 → 8...16	Sony ICX834
-1012b	G/C 4112 x 3008	1.1"	3.45 x 3.45	23.2 / 19.2 <sup>1</sup>	CMOS	Global	12 → 16/12/8	Sony IMX304
-1031	G/C 6480 x 4856	1.1"	3.45 x 3.45	12 / 7.5 <sup>1</sup>	CMOS	Global	12 → 16/12/8	Sony IMX342

<sup>1</sup> into memory / streaming

<sup>2</sup> NIR enhanced & anti-reflective glass

## Hardware Features

Protocol	Compliant to GigE Vision
Interface	Dual Gigabit Ethernet (2x 1000 Mbit/s with 100 Mbit/s compatibility) or Single Gigabit Ethernet
Image formats	Mono8, Mono12, Mono14, Mono16, Mono12Packed BayerGR8, BayerGR10, BayerGR12, BayerGR16, BayerGR12Packed (GR, RG, GB, BG depends on camera type) RGB8Packed, BGR8Packed, BGRA8Packed, BGR10V2Packed, YUV422Packed, YUV422_YUYVPacked, YUV444Packed
Triggers	External, software based or free run
Size of body (W x H x L)	50 x 50 x 32 mm
Weight w/o lens	approx. 200 g
Permissible ambient temperature	Operation: 0...45 °C / 30 to 80 % RH Storage: -20 .. 60 °C / 20 to 90 % RH
Lens mounts	Back focus adjustable C/CS-mount lens holder
Digital I/Os	4 opto-isolated inputs / 4 high-side outputs
Image memory	256 MB
Conformity	CE, FCC, RoHS
Driver	mvIMPACT Acquire SDK or any GigE Vision compliant interface
Special features	Enhanced color and I/O functionality, automatic gain / exposure control, binning, burst mode, video iris, lens control, pre-trigger recording, internal temperature sensors, screw lock connectors