

mvBlueCOUGAR-S

Discontinued



- Compact industrial CCD cameras with Gigabit Ethernet
- GigE Vision® and GenICam™ compliant
- High quality sensors from VGA up to 5 Mpixels
- Variable electronic shutter modes
- Hardware and software trigger
- PoE or external power supply possible

The MATRIX VISION mvBlueCOUGAR-S is a compact and flexible industrial Gigabit Ethernet camera compliant to GigE Vision and GenICam. The Gigabit Ethernet interface transfers 1 Gbit/s over up to 100 meters using inexpensive standard network components. The camera allows an easy integration in the environment and supports the application to deliver faster and better results. The camera replaces analog image processing solutions.

/* */

- Sensors
- Features
- Accessories
- Image formats
- Application areas
- Dimensional drawing
- Downloads

CCD Model mvBlueCOUGAR -S120a

Model variant¹ G / C

Resolution of sensor's active area (width x height in [pixels]) 652 x 490

Maximum frame rate [Hz] 90

Transfer type Global

Sensor size 1/3"

Pixel size (width x height in [µm]) 7.4 x 7.4

Exposure time	10 μ s - 10 s
Sensitivity	G = 2000 lx, F11, 3200K C = 2000 lx, F5.6, 3200K
Spectral sensitivity	/
Power consumption (DC + 12V)	Approx. 5.2W
Sensor manufacturer	Sony
Sensor	ICX424AL/AQ

¹ G = Gray, C = Color, GE = Gray & Infrared Enhanced

- Gigabit Ethernet interface
- Distances up to bis 100 meters without switch
- Digital I/O opto-isolated:- 5
1-
i 2
n4
p
u
t
(
t
r
i
g
g
e
r
)
-5
l
o
u
t
p
u
t
(
s
t
r
o
b
- Automatic and variable electronic shutter modes
- Image area is adjustable horizontally / vertically (AOI)
- Enhanced white balance functionality

e
)

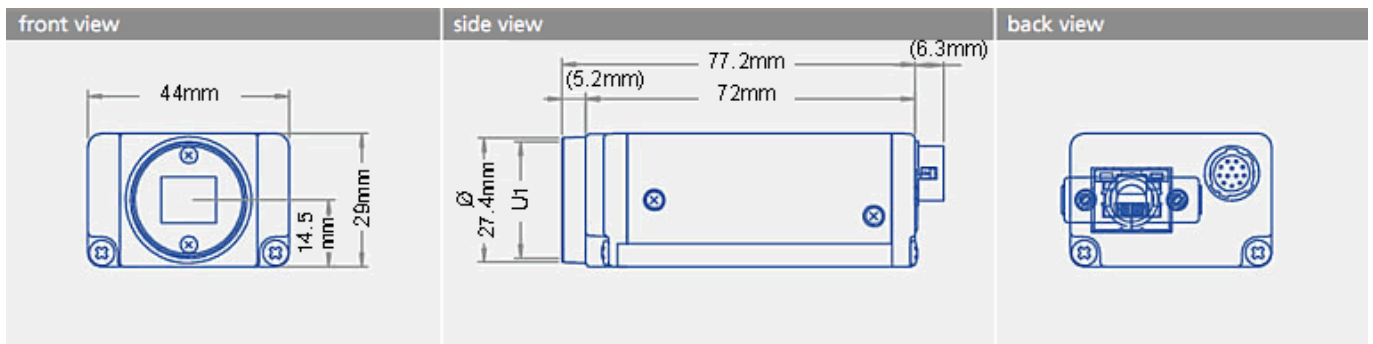
- Connectors:- RJ-45 Gigabit Ethernet
 - digital circular I/O.
 connect power or supply
- Electric power supply via 48V Power over Ethernet (PoE) or 12V \pm 1V power supply
- Binning mode
- Gamma correction
- Adjustable sharpness and brightness
- ADC resolution: 8,10,12 bit
- Automatic gain and exposure
- Progressive scan
- C-mount
- Weight without lens: approx. 140 g
- Permissible ambient temperature:-
 - performance: 0 to 40 $^{\circ}$ C / 30 to 80 %RH
 - storage: -20 to 60 $^{\circ}$ C / 20 to 90 %RH
- Size without lens (w x h x l):
 44 x 29 x 72 mm

Part code	Article description
MV-DC1201 BCS	Power supply 12V for mvBlueCOUGAR-S
MV-DC1201 BCS IO REV2	Power supply 12V for mvBlueCOUGAR-S with digital I/O on separate cable, length: power 3 m, I/O: 0.5 m
KS-GIGE LS SLK	GigE cable CAT6 with horizontal screw locking 20mm, M2x0.4, drag chain capable, 20 m
KS-GIGE LS SLK AK90L	GigE cable CAT6 with horizontal screw locking 20mm, M2x0.4, drag chain capable, camera plug 90° angled left direction, 3 m
KS-GIGE LS SLK AK90R	GigE cable CAT6 with horizontal screw locking 20mm, M2x0.4, drag chain capable, camera plug 90° angled right direction, 3 m
MV-Tripod Adapter BC-S	Tripod adapter for mvBlueCOUGAR-S

- Gray scale sensors:- Mono8
-
- Mono10
-
- Mono12

- Color sensors:- Mono8
- Mono10
- Mono12
- RGB8_Packed
- BGR9_Packed
- BayerRG8
- BayerRG10
- BayerRG12
- YUV422_UYVYPacked


- Machine vision (e.g. surface inspection)
- Surveillance (e.g. license plate identification)
- Robotics
- Medical imaging



Dimensional drawing mvBlueCOUGAR-S

Drivers and applications for Windows 7, 8.1 (mvIMPACT Acquire)


To be able to watch or download the drivers, you have to be [registered](#) or [logged in](#).

 [mvIMPACT Acquire.history](#) | 898.5 kB

mvIMPACT Acquire History-Datei / mvIMPACT Acquire history file

Drivers and applications for Linux 2.6 .. 3.x.x (mvIMPACT Acquire)

To be able to watch or download the drivers, you have to be [registered](#) or [logged in](#).

 [mvIMPACT Acquire.history](#) | 898.5 kB

mvIMPACT Acquire History-Datei / mvIMPACT Acquire history file

Additional packages for LabVIEW, DirectShow, VisionPro and Halcon

Since version 1.10.69, the **DirectShow®** driver is part of the mvIMPACT Acquire installation package.

Since version 1.10.85, an interface to **VisionPro®** (Cognex) will be installed automatically when installing an MSI based mvIMPACT Acquire driver package.


mvIMPACT Acquire bindings for **HALCON** are available on MVTec's website:
<http://www.halcon.de/download/>

 [LabVIEW acquire-x86-1.6.8](#) | 9,028.0 kB

32 Bit mvIMPACT Acquire Binding für LabVIEW ab Version 6.1 / 32 Bit mvIMPACT Acquire binding for LabVIEW 6.1 or greater

 [LabVIEW acquire-x86 64-1.6.8](#) | 10,980.0 kB

64 Bit mvIMPACT Acquire Binding für LabVIEW ab Version 6.1 / 64 Bit mvIMPACT Acquire binding for LabVIEW 6.1 or greater

 [LabVIEW acquire.history](#) | 7.2 kB

32 Bit LabView Binding History-Datei / 32 Bit LabView binding history file

Released Firmware Versions

For the firmware you will also need the current **GenICam description file** (MATRIXVISION_mvBlueCOUGAR-S_GigE_3_0_0.zip).

 [mvBlueCOUGAR-S120aC_R001_Update.fpg](#) | 1,146.3 kB

mvBlueCOUGAR-S120aC Firmware R001 Update

 [mvBlueCOUGAR-S120aC_Update.fpg](#) | 1,146.3 kB

mvBlueCOUGAR-S120aC Firmware Update

 [mvBlueCOUGAR-S120aG_R001_Update.fpg](#) | 1,144.1 kB


mvBlueCOUGAR-S120aG Firmware R001 Update

 [mvBlueCOUGAR-S120aG_Update.fpg](#) | 1,144.1 kB

mvBlueCOUGAR-S120aG Firmware Update

 [mvBlueCOUGAR-S121C_R001_Update.fpg](#) | 1,146.5 kB

mvBlueCOUGAR-S121C Firmware R001 Update

 [mvBlueCOUGAR-S121C_Update.fpg](#) | 1,146.5 kB

mvBlueCOUGAR-S121C Firmware Update

 [mvBlueCOUGAR-S121G_R001_Update.fpg](#) | 1,144.4 kB

mvBlueCOUGAR-S121G Firmware R001 Update

 [mvBlueCOUGAR-S121G_Update.fpg](#) | 1,144.4 kB

mvBlueCOUGAR-S121G Firmware Update

 [mvBlueCOUGAR-S123C_R001_Update.fpg](#) | 1,146.6 kB

mvBlueCOUGAR-S123C Firmware R001 Update

 [mvBlueCOUGAR-S123C_Update.fpg](#) | 1,146.6 kB

mvBlueCOUGAR-S123C Firmware Update

 [mvBlueCOUGAR-S123G_R001_Update.fpg](#) | 1,144.5 kB

mvBlueCOUGAR-S123G Firmware R001 Update

 [mvBlueCOUGAR-S123G_Update.fpg](#) | 1,144.5 kB

mvBlueCOUGAR-S123G Firmware Update

 [mvBlueCOUGAR-S124C_R001_Update.fpg](#) | 1,146.6 kB

mvBlueCOUGAR-S124C Firmware R001 Update

 [mvBlueCOUGAR-S124G_R001_Update.fpg](#) | 1,144.3 kB

mvBlueCOUGAR-S124 Firmware R001 Update

 [mvBlueCOUGAR-S125C_R001_Update.fpg](#) | 1,151.4 kB

mvBlueCOUGAR-S125C Firmware R001 Update

 [mvBlueCOUGAR-S125G_R001_Update.fpg](#) | 1,149.0 kB

mvBlueCOUGAR-S125G Firmware R001 Update

GenICam description files

- [MATRIXVISION mvBlueCOUGAR-S GigE 3 0 0](#)
- [MATRIXVISION mvBlueCOUGAR-S GigE 2 3 1](#)
- [MATRIXVISION mvBlueCOUGAR-S GigE 2 3 0](#)
- [MATRIXVISION mvBlueCOUGAR-S GigE 2 2 0](#)
- [MATRIXVISION mvBlueCOUGAR-S GigE 2 1 2](#)
- [MATRIXVISION mvBlueCOUGAR-S GigE 2 1 1](#)
- [MATRIXVISION mvBlueCOUGAR-S GigE 2 1 0](#)

Manuals

 [mvBlueCOUGAR-S technical manual \(chm\)](#) | 4,522.4 kB

mvBlueCOUGAR-S Technisches Handbuch / Technical Manual

[Hinweis](#) / [Note](#)

 [mvBlueCOUGAR-S technical manual \(html\)](#)

mvBlueCOUGAR-S Technisches Handbuch / Technical Manual

 [mvIMPACT Acquire API C++](#) | 10,078.8 kB

mvIMPACT Acquire API C++ Handbuch / Manual

 [mvIMPACT Acquire API C](#) | 3,827.0 kB

mvIMPACT Acquire API C Handbuch / Manual

 [mvIMPACT Acquire API .NET](#) | 6,993.5 kB

mvIMPACT Acquire API .NET Handbuch / Manual

Datasheets

 [mvBlueCOUGAR-S technical manual \(chm\)](#) | 4,522.4 kB

mvBlueCOUGAR-S Technisches Handbuch / Technical Manual

[Hinweis](#) / [Note](#)

Subject to change without notice, Date 04/2011