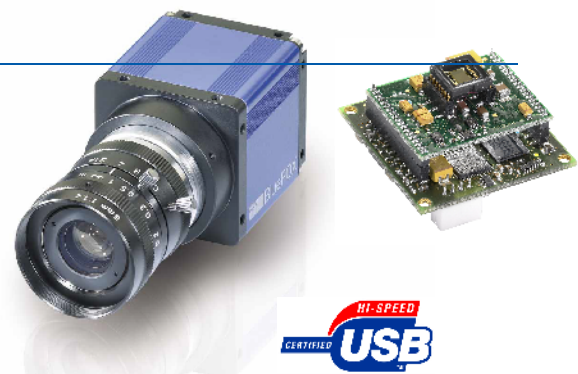


mvBlueFOX / -M

Technical Details



Sensors

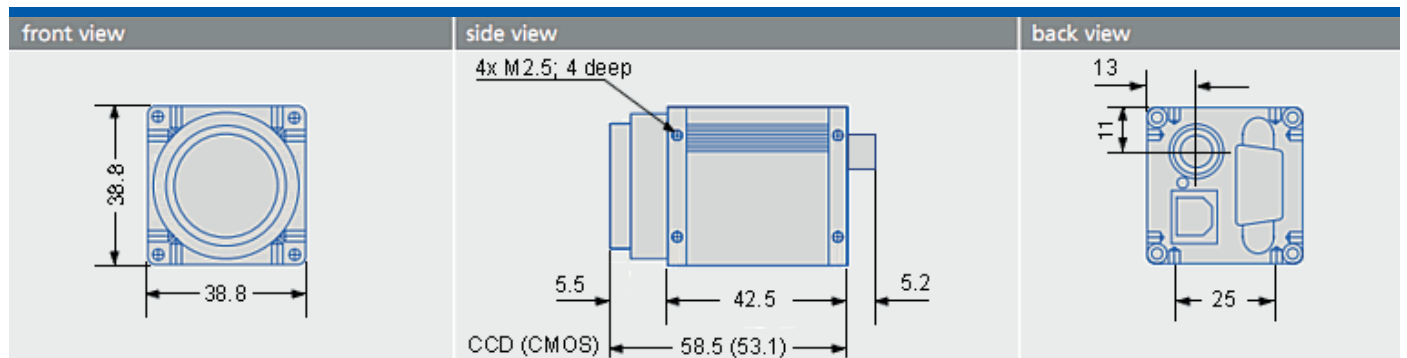
mvBlueFOX		Resolution (H x V pixels)	Sensor size (optical)	Pixel size (µm)	Frame rate	Sensor technology	Readout type	ADC resolution / output in bits	Sensor
-220 / -M120	G/C	640 x 480	1/4"	5.6 x 5.6	60	CCD	Global	12 → 10	Sony ICX098
-220a / -M120a	G/C	640 x 480	1/3"	7.4 x 7.4	100	CCD	Global	12 → 10	Sony ICX424
-200w / -M100w	G/C	752 x 480	1/3"	6 x 6	93	CMOS	Global	10 → 10 / 8	Aptina MT9V
-221 / -M121	G/C	1024 x 768	1/3"	4.65 x 4.65	39	CCD	Global	12 → 10	Sony ICX204
-202a / -M102a	G	1280 x 1024	1/2"	5.2 x 5.2	25	CMOS	Rolling	10 → 10 / 8	Aptina MT9M
-223 / -M123	G/C	1360 x 1024	1/2"	4.65 x 4.65	20	CCD	Global	12 → 10	Sony ICX267
-224 / -M124	G/C	1600 x 1200	1/1.8"	4.4 x 4.4	16	CCD	Global	12 → 10	Sony ICX274
-205 / -M105	G/C	2592 x 1944	1/2.5"	2.2 x 2.2	5.8	CMOS	Global Reset	10 → 10 / 8	Aptina MT9P

Sample: **mvBlueFOX-200wG** means standard version with 752 x 480 CMOS gray scale sensor.
mvBlueFOX-M200wG means module version without housing and with 752 x 480 CMOS gray scale sensor.

Hardware Features

Gray scale / Color	Gray scale (G) / Color (C)				
Interface	USB 2.0 (up to 480 Mbit/s) / USB 1.1 compatible				
Image formats	Mono8, Mono10, BayerGR8, BayerGR10				
Triggers	External, software based or free run				
Size w/o lens (W x H x L) Weight w/o lens	mvBlueFOX:	38.8 x 38.8 x 42.5 mm approx. 120 g			
	mvBlueFOX-M:	38.8 x 38.8 x 34 mm (CCD with C-mount) approx. 17 g			
Permissible ambient temperature	Operation:	0 .. 45 °C / 30 to 80 % RH			
	Storage:	-20 .. 60 °C / 20 to 90 % RH			
Lens mounts	Back focus adjustable C/CS-mount lens holder / C-mount, CS-mount or optional S-mount				
Digital I/Os	mvBlueFOX:	2 opto-isolated inputs / 2 opto-isolated outputs			
	mvBlueFOX-M:	4 LVTTTL inputs / 4 LVTTTL outputs			
Power supply	U _{USBPOWER_IN}	Min.	Typ.	Max.	V
	I _{USBPOWER_IN} (@ 5V / 40 MHz)	4.75	5	5.25	
			280	500	mA
Conformity	CE, FCC, RoHS				
Driver	mvIMPACT Acquire SDK				
Operating systems	Windows®, Linux® - 32 bit and 64 bit				
Special features	Micro-PLC, automatic gain / exposure control, binning, screw lock connectors				

Dimensions Standard Version (in mm)



MATRIX VISION MATRIX VISION GmbH
 Talstrasse 16
 71570 Oppenweiler
 Phone: +49-71 91-94 32-0
 Fax: +49-71 91-94 32-288
 info@matrix-vision.de