

mvBlueFOX3

Technical Details



Sensors

mvBlueFOX3		Resolution (H x V pixels)	Sensor size (optical)	Pixel size (µm)	Frame rate	Sensor technology	Readout type	ADC resolution / output in bits	Sensor
-1012b	G/C	1280 x 960	1/3"	3.75 x 3.75	40.6	CMOS	Global	12	Aptina MT9M031
-1012d	G/C	1280 x 960	1/3"	3.75 x 3.75	40.6	CMOS	Rolling	12	Aptina MT9M034
-1013	G/C ²	1280 x 1024	1/1.8"	5.3 x 5.3	60	CMOS	Global	10	E2V EV76C560
-1013	GE ^{1,2}	1280 x 1024	1/1.8"	5.3 x 5.3	60	CMOS	Global	10	E2V EV76C661
-1020	G/C ²	1600 x 1200	1/1.8"	4.5 x 4.5	51.7	CMOS	Global	10	E2V EV76C570
-1020a	G/C ²	1600 x 1200	1/1.8"	4.5 x 4.5	60	CMOS	Global	10	E2V EV76C570
-1031	C	2048 x 1536	1/3"	2.2 x 2.2	21 / 31.4 ³	CMOS	Rolling	12	Aptina AR0331
-1100	G/C	3856 x 2764	1/2.3"	1.67 x 1.67	7.3	CMOS	Rolling	12	Aptina MT9J003

¹ Infrared enhanced

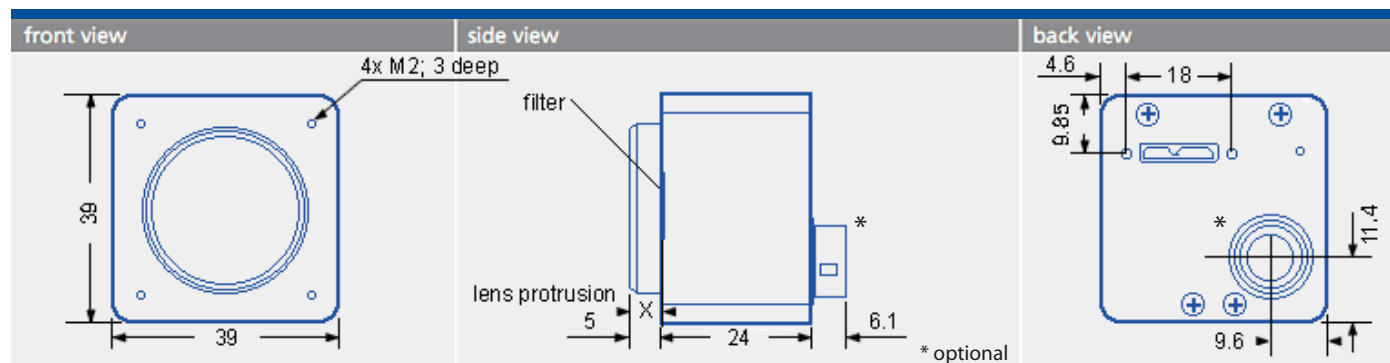
² Linescan mode

³ @full / @1080p

Hardware Features

Protocol	Compliant to USB3 Vision		
Interface	USB 2.0 / 3.0 (up to 480 Mbit/s / up to 5 Gbit/s)		
Image formats	Mono8/10/12/14/16 BayerGR8/10/12/16, RGB8Packed, BGR8Packed, BGRA8Packed, BGR10V2Packed, YUV422/444Packed, YUV422_YUYVPacked onboard color processing		
Triggers	External, software based or free run		
Size w/o lens (W x H x L) Weight w/o lens	39 x 39 x 24 mm approx. 58.5 g		
Permissible ambient temperature	Operation:	0 .. 45 °C / 30 to 80 % RH	
	Storage:	-20 .. 60 °C / 20 to 90 % RH	
Lens mounts	CS-mount or C-mount as an option		
Digital I/Os	2 opto-isolated inputs / 4 opto-isolated outputs (freely configurable) as an option		
Image memory	256 MBytes		
Flash (firmware, calibration, user data)	16 MBytes		
Conformity	CE, FCC, RoHS		
Driver	mvIMPACT Acquire SDK or any USB3 Vision compliant interface or vision library		
Operating systems	Windows®, Linux® - 32 bit and 64 bit		
Special features	Burst mode, onboard color processing, Micro-PLC, single-board variant, frame average, robust housing with tripod mounting holes		

Dimensions (in mm)



MATRIX VISION MATRIX VISION GmbH
Talstrasse 16

71570 Oppenweiler
Phone: +49-71 91-94 32-0
Fax: +49-71 91-94 32-288
info@matrix-vision.de

Recognize Analyze Decide

www.matrix-vision.de

Subject to change without notice, Date 09/2015