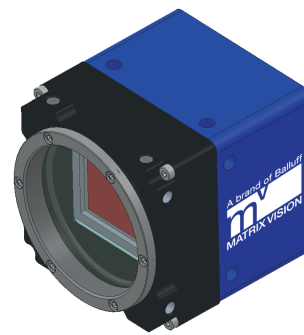


# mvBlueCOUGAR-XD1031

## Technical Details



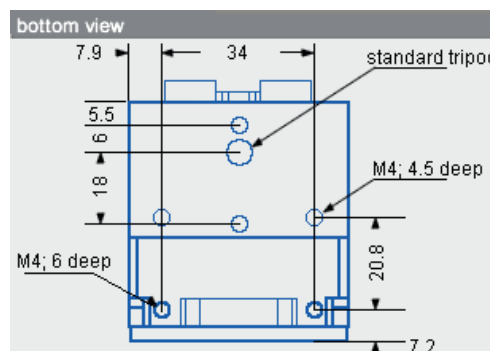
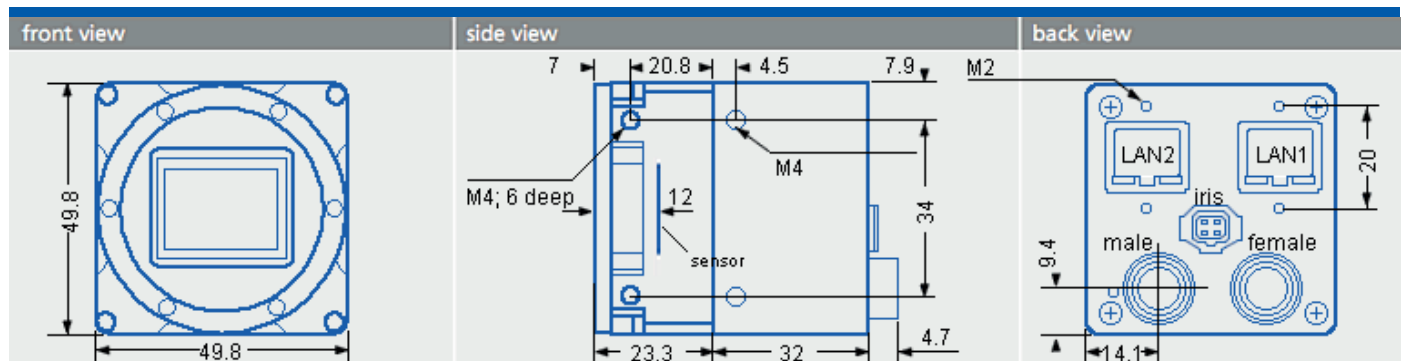
### Sensors

mvBlueCOUGAR-XD	Resolution (H x V pixels)	Sensor size (optical)	Pixel size (µm)	Frame rate	Sensor technology	Readout type	ADC resolution / output in bits	Sensor
-1031	G/C 6480 x 4856	1.1"	3.45 x 3.45	12 / 7.5'	CMOS	Global	12 → 16/12/8	Sony IMX342 into memory / streaming

### Hardware Features

Protocol	Compliant to GigE Vision	
Interface	Dual Gigabit Ethernet (2x 1000 Mbit/s with 100 Mbit/s compatibility) or Single Gigabit Ethernet	
Image formats	Mono8, Mono12, Mono14, Mono16, Mono12Packed BayerGR8, BayerGR10, BayerGR12, BayerGR16, BayerGR12Packed (GR, RG, GB, BG depends on camera type) RGB8Packed, BGR8Packed, BGRA8Packed, BGR10V2Packed, YUV422Packed, YUV422_YUYVPacked, YUV444Packed	
Triggers	External, software based or free run	
Size of body (W x H x L)   Weight w/o lens	49.8 x 49.8 x 55.3 mm   approx. 215 g	
Permissible ambient temperature	Operation:	0 .. 45 °C / 30 to 80 % RH
	Storage:	-20 .. 60 °C / 20 to 90 % RH
Lens mounts	M42-mount lens holder	
Digital I/Os	4 opto-isolated inputs / 4 high-side outputs	
Image memory	256 MB	
Conformity	CE, FCC, RoHS	
Driver	mvIMPACT Acquire SDK or any GigE Vision compliant interface	
Operating systems	Windows®, Linux® - 32 bit and 64 bit	
Special features	Enhanced color and I/O functionality, automatic gain / exposure control, binning, burst mode, video iris, lens control, pre-trigger recording, internal temperature sensors, screw lock connectors	

### Dimensions (in mm)



MATRIX VISION GmbH  
Talstrasse 16  
71570 Oppenweiler  
Phone: +49-71 91-94 32-0  
Fax: +49-71 91-94 32-288  
info@matrix-vision.de

Recognize Analyze Decide