

# mvBlueFOX

## Technical Details



## Sensors

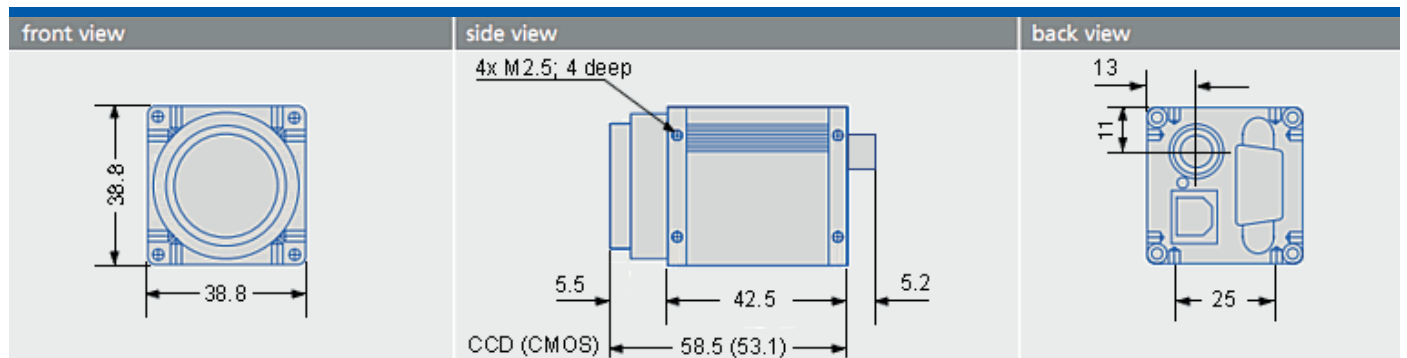
mvBlueFOX		Resolution (H x V pixels)	Sensor size (optical)	Pixel size (µm)	Frame rate	Sensor technology	Readout type	ADC resolution / output in bits	Sensor
-220	G/C	640 x 480	1/4"	5.6 x 5.6	60	CCD	Global	12 → 10	Sony ICX098
-220a	G/C	640 x 480	1/3"	7.4 x 7.4	100	CCD	Global	12 → 10	Sony ICX424
-200w	G/C	752 x 480	1/3"	6 x 6	93	CMOS	Global	10 → 10 / 8	Aptina MT9V
-221	G/C	1024 x 768	1/3"	4.65 x 4.65	39	CCD	Global	12 → 10	Sony ICX204
-202a	G	1280 x 1024	1/2"	5.2 x 5.2	25	CMOS	Rolling	10 → 10 / 8	Aptina MT9M
-223	G/C	1360 x 1024	1/2"	4.65 x 4.65	20	CCD	Global	12 → 10	Sony ICX267
-224	G/C	1600 x 1200	1/1.8"	4.4 x 4.4	16	CCD	Global	12 → 10	Sony ICX274
-205	G/C	2592 x 1944	1/2.5"	2.2 x 2.2	5.8	CMOS	Global Reset	10 → 10 / 8	Aptina MT9P

Sample: **mvBlueFOX-200wG** means standard version with 752 x 480 CMOS gray scale sensor.

## Hardware Features

Gray scale / Color	Gray scale (G) / Color (C)				
Interface	USB 2.0 (up to 480 Mbit/s) / USB 1.1 compatible				
Image formats	Mono8, Mono10, BayerGR8, BayerGR10				
Triggers	External, software based or free run				
Size w/o lens (W x H x L)   Weight w/o lens	mvBlueFOX:	38.8 x 38.8 x 42.5 mm   approx. 120 g			
Permissible ambient temperature	Operation:	0 .. 45 °C / 30 to 80 % RH			
	Storage:	-20 .. 60 °C / 20 to 90 % RH			
Lens mounts	Back focus adjustable C/CS-mount lens holder / C-mount, CS-mount or optional S-mount				
Digital I/Os	mvBlueFOX:	2 opto-isolated inputs / 2 opto-isolated outputs			
Power supply		Min.	Typ.	Max.	
	U <sub>USBPOWER_IN</sub>	4.75	5	5.25	V
	I <sub>USBPOWER_IN</sub> (@ 5V / 40 MHz)	280	500	500	mA
Conformity	CE, FCC, RoHS				
Driver	mvIMPACT Acquire SDK				
Operating systems	Windows®, Linux® - 32 bit and 64 bit				
Special features	Micro-PLC, automatic gain / exposure control, binning, screw lock connectors				

## Dimensions Standard Version (in mm)




**MATRIX VISION** GmbH  
 Talstrasse 16  
 71570 Oppenweiler  
 Phone: +49-71 91-94 32-0  
 Fax: +49-71 91-94 32-288  
 info@matrix-vision.de