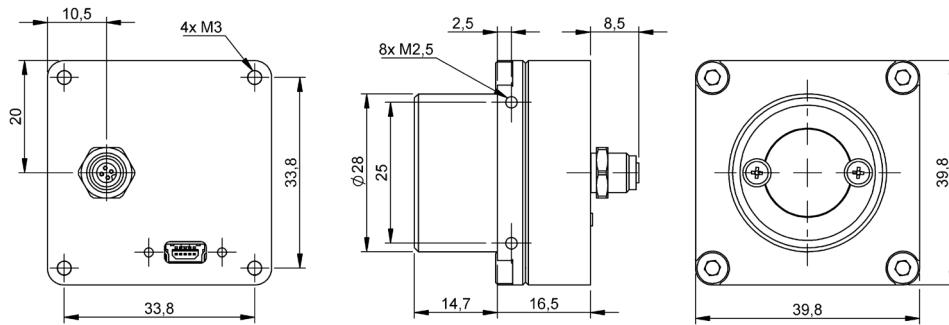


mvBlueFOX-IGC/-MLC



Dimensions in mm

Sensors



mvBlueFO X-IGC mvBlueFO X-MLC	Resolution (H x V pixels)	Sensor size (optical)	Pixel size (µm)	Frame rate	Sensor- technology	Readout type	ADC resolution / output in bits	Sensor	
-200w ^{1 2}	G/C	752 × 480	1/3"	6 × 6	93	CMOS	Global	10 → 10 / 8	Aptina MT9V
-202a ¹	G	1280 × 1024	1/2"	5.2 × 5.2	25	CMOS	Rolling	10 → 10 / 8	Aptina MT9M
-202v	G/C	1280 × 960	1/3"	3.75 × 3.75	24.6	CMOS	Global	10 → 10 / 8	Aptina AR0135
-202d ¹	G/C	1280 × 960	1/3"	3.75 × 3.75	24.6	CMOS	Rolling	10 → 10 / 8	Aptina MT9M
-205 ²	G/C	2592 × 1944	1/2.5"	2.2 × 2.2	5.8	CMOS	Global Reset	10 → 10 / 8	Aptina MT9P

¹ High Dynamic Range (HDR) mode supported

² Software trigger supported

Sample: mvBlueFOX-IGC200wG means version with housing and 752 × 480 CMOS gray scale sensor.

mvBlueFOX-MLC200wG means single-board version without housing and with 752 × 480 CMOS gray scale sensor.

Hardware Features

Gray scale / Color	Gray scale (G) / Color (C)																				
Interface	USB 2.0 (up to 480 Mbit/s)																				
Image formats	Mono8, Mono10, BayerGR8, BayerGR10																				
Triggers	External hardware based (optional), software based (depending on the sensor) or free run																				
Size w/o lens (W x H x L) / Weight w/o lens	mvBlueFOX-IGC: 39.8 x 39.8 x 16.5 mm / approx. 80 g mvBlueFOX-MLC: 35 x 33 x 25 mm (without lens mount) / approx. 10 g																				
Permissible ambient temperature	Operation: 0...45 °C / 30 to 80 % RH Storage: -20...60 °C / 20 to 90 % RH																				
Lens mounts	Back focus adjustable C/CS-mount lens holder / C-mount, CS-mount or optional S-mount																				
Digital I/Os	mvBlueFOX-IGC (optional) 1 / 1 opto-isolated mvBlueFOX-MLC 1 / 1 opto-isolated or 2 / 2 TTL compliant																				
Power supply	<table border="1"> <thead> <tr> <th>UUSBPOWER_IN</th> <th>Min.</th> <th>Typ.</th> <th>Max.</th> <th></th> </tr> </thead> <tbody> <tr> <td>IUSBPOWER_IN (@ 5V / 40 MHz)</td> <td>4.75</td> <td>5</td> <td>5.25</td> <td>V</td> </tr> <tr> <td>IUSBPOWER_IN (Power off mode)</td> <td></td> <td>280</td> <td>500</td> <td>mA</td> </tr> <tr> <td></td> <td></td> <td>66</td> <td></td> <td>mA</td> </tr> </tbody> </table>	UUSBPOWER_IN	Min.	Typ.	Max.		IUSBPOWER_IN (@ 5V / 40 MHz)	4.75	5	5.25	V	IUSBPOWER_IN (Power off mode)		280	500	mA			66		mA
UUSBPOWER_IN	Min.	Typ.	Max.																		
IUSBPOWER_IN (@ 5V / 40 MHz)	4.75	5	5.25	V																	
IUSBPOWER_IN (Power off mode)		280	500	mA																	
		66		mA																	
Driver	mvIMPACT Acquire SDK																				
Operating systems	Windows®, Linux® – 32 bit and 64 bit																				
Special features	Micro-PLC, automatic gain / exposure control, binning, screw lock connectors																				