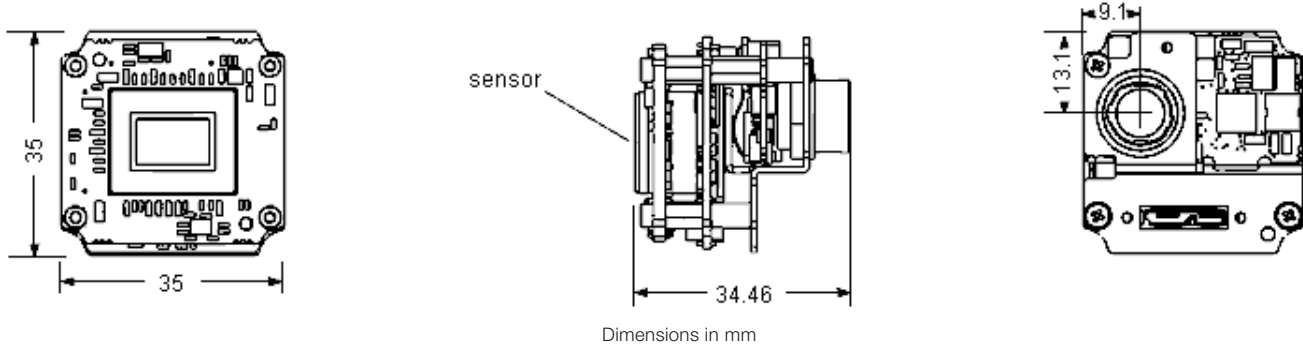


# mvBlueFOX3-M2



## Sensors

BF3		Resolution (H x V pixels)	Sensor size (optical)	Pixel size (µm)	Frame rate	Sensor technology	Readout type	ADC resolution / output in bits	Sensor
-M2004	G/C	728 x 544	1/2.9"	6.9 x 6.9	436.9	CMOS	Global	12 / 12	Sony IMX287
-M2016	G/C	1456 x 1088	1/2.9"	3.45 x 3.45	226.5	CMOS	Global	12 / 12	Sony IMX273
-M2024	G/C	1936 x 1216	1/1.2"	5.86 x 5.86	161.4	CMOS	Global	12 / 12	Sony IMX174
-M2024a	G/C	1936 x 1216	1/1.2"	5.86 x 5.86	46.9	CMOS	Global	12 / 12	Sony IMX249
-M2032	G/C	2064 x 1544	1/1.8"	3.45 x 3.45	119.2	CMOS	Global	12 / 12	Sony IMX252
-M2032a	G/C	2064 x 1544	1/1.8"	3.45 x 3.45	55	CMOS	Global	12 / 12	Sony IMX265
-M2051	G/C	2464 x 2056	2/3"	3.45 x 3.45	75	CMOS	Global	12 / 12	Sony IMX250
-M2051p	G/C	2464 x 2056	2/3"	3.45 x 3.45	75	CMOS	Global	12 / 12	Sony IMX250_POL
-M2051a	G/C	2464 x 2056	2/3"	3.45 x 3.45	35	CMOS	Global	12 / 12	Sony IMX264
-M2064	G/C	3096 x 2080	1/1.8"	2.4 x 2.4	59	CMOS	Rolling	12 / 12	Sony IMX178
-M2071	G/C	3216 x 2208	1.1"	4.5 x 4.5	53.5	CMOS	Global	12 / 12	Sony IMX420
-M2071a	G/C	3216 x 2208	1.1"	4.5 x 4.5	50.9	CMOS	Global	12 / 12	Sony IMX428
-M2089	G/C	4112 x 2176	1"	3.45 x 3.45	42.4	CMOS	Global	12 / 12	Sony IMX255
-M2089a	G/C	4112 x 2176	1"	3.45 x 3.45	31.9	CMOS	Global	12 / 12	Sony IMX267
-M2124	G/C	4112 x 3008	1.1"	3.45 x 3.45	30.7	CMOS	Global	12 / 12	Sony IMX253
-M2124a	G/C	4112 x 3008	1.1"	3.45 x 3.45	23	CMOS	Global	12 / 12	Sony IMX304
-M2124r	G/C	4064 x 3044	1/1.7"	1.85 x 1.85	30.7	CMOS	Rolling	12 / 12	Sony IMX226
-M2162	G/C	5328 x 3040	1.1	2.74 x 2.74	23.4	CMOS	Global	12 / 12	Sony IMX542
-M2204	G/C	4512 x 4512	1.1"	2.4 x 2.4	18.6	CMOS	Global	12 / 12	Sony IMX541
-M2205	G/C	5544 x 3692	1"	2.4 x 2.4	18.5	CMOS	Rolling	12 / 12	Sony IMX183
-M2246	G/C	5328 x 4608	1.2"	2.74 x 2.74	15.4	CMOS	Global	12 / 12	Sony IMX540

<sup>1</sup> Streaming frame rate (burst mode frame rates see website)

## Hardware Features

Protocol	Compliant to USB3 Vision
Interface	USB 2.0 / 3.0 (up to 480 Mbit/s / up to 5 Gbit/s)
Image formats	Mono8/10/12/14/16 BayerGR8/10/12/16, RGB8Packed, BGR8Packed, BGRA8Packed, BGR10V2Packed, YUV422/444Packed, YUV422_YUYVPacked onboard color processing
Triggers	External, software based or free run
Size w/o lens (W x H)	34.5 x 34.5 mm
Weight w/o lens	approx. 21 g
Permissible ambient temperature	Operation: 0...45 °C / 30 to 80 % RH Storage: -20...60 °C / 20 to 90 % RH
Lens mounts	C-mount available
Digital I/Os	2 opto-isolated inputs / 4 opto-isolated outputs (freely configurable) as an option
Image memory / Flash (firmware, calibration, user data)	256 MBytes, 16 MBytes
Conformity	CE, FCC, RoHS
Driver	mvIMPACT Acquire SDK or any USB3 Vision compliant interface or vision library for Windows®, Linux® (32 bit & 64 bit)
Special features	Burst mode, onboard SDK color processing, frame average