

# mvBlueGEMINI

## Technical Details



### Sensors

mvBlueGEMINI	Model	Resolution (H x V pixels)	Sensor size (optical)	Pixel size (µm)	Sensor technology	Readout type	ADC resolution / output in bits	Sensor
-1013	G / C	1280 x 1024	1/1.8"	5.3 x 5.3	CMOS	Global	10 / 8	e2v EV76C560

### Hardware Features

CPU	FPGA/SoC with Dual-Core Cortex-A9, each with 800 MHz
Memory	1 GB DDR3 SDRAM
Flash	4 GB NAND
EEPROM	Yes, with temperature sensor
Interfaces	1 GBit Ethernet LAN Up to 6 bidirectional I/Os, Trigger
Perm. ambient temperature	0 to 55 °C / 30 to 80 %RH
Size (w x h x l) without lens	65 x 40 x 99.5 mm
Weight without lens	Approx. 275 g
Power consumption	Less than 5 W
Conformity	IP 67

### Software Features

<b>mvIMPACT Configuration Studio, or mvIMPACT-CS for short</b>
Web-based, multi-platform, multi-client, no installation required
Easy to adapt GUI, internationalization possible
mvIMPACT-CS can be extended by own tools
<b>Easy to use and understand tools including wizards</b>
- High-level tools (Find object, Check object, Count objects, ...)
- Automatic tool selection and parameterization
Hardware is optimized for the software



### Models

Tools	mvBlueGEMINI	Std.	Extended	-Ident	-Inspect
Get image	✓	✓	✓	✓	✓
Interfaces (Get inputs, Receive data, Set outputs, Send results)	✓	✓	✓	✓	✓
Process reliance (Check brightness/focus, Find object)	✓	✓	✓	✓	✓
Read code / Read text	✓	✓	✓	✓	✗
Check / Measure object	✓	✓	✗	✗	✓
HALCON Script	✗	✓	✗	✗	✗

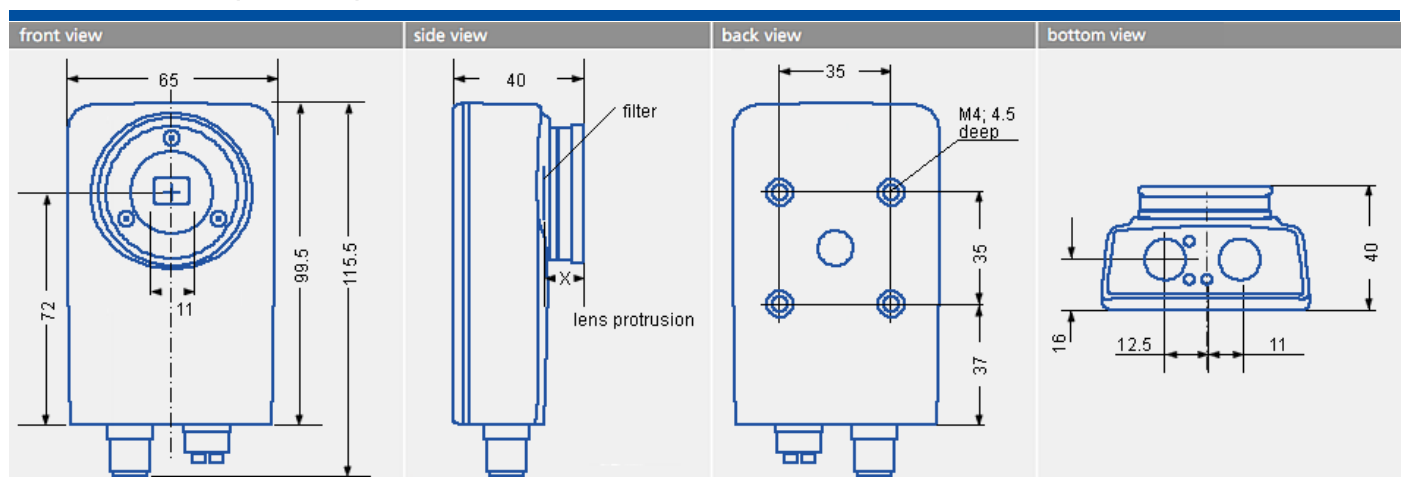
### Options

Hygienic **stainless steel** option for all available models.

Perm. ambient temperature 0 to 35 °C / 30 to 80 %RH  
(standard mounting w/o heat dissipation)  
Weight incl. tube Approx. 745 g



### Dimensions (in mm)



A brand of Balluff  
**MATRIX VISION**

MATRIX VISION GmbH  
Talstrasse 16  
71570 Oppenweiler  
Phone: +49-71 91-94 32-0  
Fax: +49-71 91-94 32-288  
info@matrix-vision.de

Recognize Analyze Decide