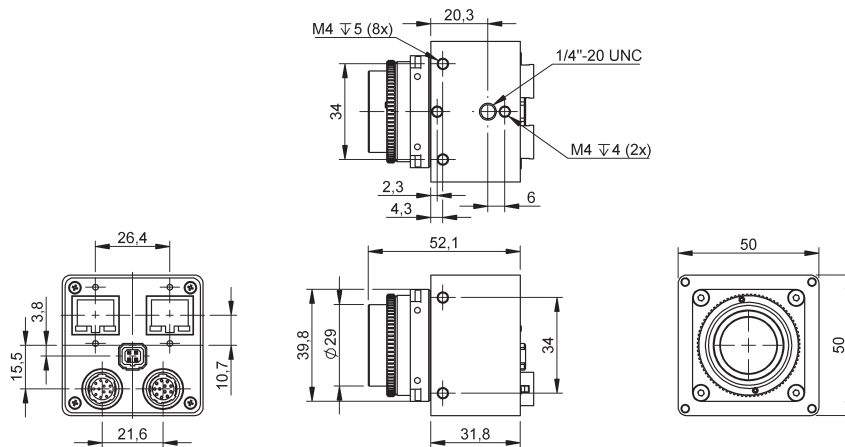


mvBlueCOUGAR-XD



Dimensions in mm



Sensors

mvBlueCOUGAR-XD	Resolution (H x V pixels)	Sensor size (optical)	Pixel size (µm)	Frame rate	Sensor-technology	Readout type	ADC resolution / output in bits	Sensor	
-102f	G/C	1456 x 1088	1/2.9"	3.45 x 3.45	226.5 / 149.9 ¹	CMOS	Global	12 → 16/12/8	Sony IMX273
-104d	G/C	1936 x 1216	1/1.2"	5.86 x 5.86	164 / 100.8 ¹	CMOS	Global	12 → 16/12/8	Sony IMX174
-104h	G/C	2064 x 1544	1/1.8"	3.45 x 3.45	123 / 74.5 ¹	CMOS	Global	12 → 16/12/8	Sony IMX252
-105a	G/C	2464 x 2056	2/3"	3.45 x 3.45	80 / 46.8 ¹	CMOS	Global	12 → 16/12/8	Sony IMX250
-105d	G/C	2474 x 2064	1/1.8"	2.74 x 2.74	74 / 46.5 ¹	CMOS	Global	12 → 16/12/8	Sony IMX547
-107	G/C	3216 x 2208	1.1"	4.5 x 4.5	50.6 / 33.4 ¹	CMOS	Global	12 → 16/12/8	Sony IMX420
-107b	G/C	3216 x 2208	1.1"	4.5 x 4.5	50.9 / 33.4 ¹	CMOS	Global	12 → 16/12/8	Sony IMX428
-108a	G/C	2856 x 2848	2/3"	2.74 x 2.74	48 / 29.1 ¹	CMOS	Global	12 → 16/12/8	Sony IMX546
-109b	G/C	4112 x 2176	1"	3.45 x 3.45	31.9 / 26.5 ¹	CMOS	Global	12 → 16/12/8	Sony IMX267
-1012b	G/C	4112 x 3008	1.1"	3.45 x 3.45	23 / 19.2 ¹	CMOS	Global	12 → 16/12/8	Sony IMX304
-1012d	G/C	4128 x 3008	1/1.1"	2.74 x 2.74	33 / 19.1 ¹	CMOS	Global	12 → 16/12/8	Sony IMX545

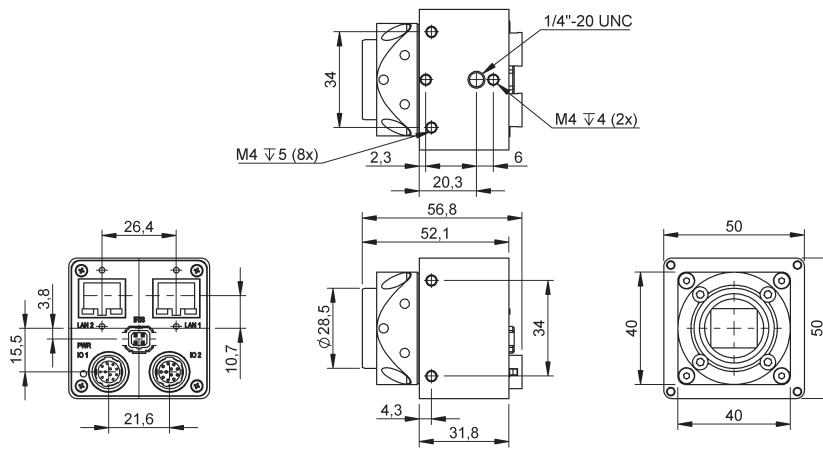
¹ into memory / streaming

² NIR enhanced & anti-reflective glass

Hardware Features

Protocol	Compliant to GigE Vision
Interface	Dual Gigabit Ethernet (2x 1000 Mbit/s with 100 Mbit/s compatibility) or Single Gigabit Ethernet
Image formats	Mono8, Mono12, Mono14, Mono16, Mono12Packed Depends on camera type: BayerGR8, BayerGR10, BayerGR12, BayerGR16, BayerGR12Packed (or RG, GB, BG) RGB8Packed, BGR8Packed, BGRA8Packed, BGR10V2Packed, YUV422Packed, YUV422_YUVVPacked, YUV444Packed
Triggers	External, software based or free run
Size of body (W x H x L)	50 x 50 x 32 mm
Weight w/o lens	approx. 200 g
Permissible ambient temperature	Operation: 0...45 °C / 30 to 80 % RH Storage: -20 .. 60 °C / 20 to 90 % RH
Lens mounts	Back focus adjustable C/CS-mount lens holder For -1031: M42 fange focal distance 12mm
Digital I/Os	4 opto-isolated inputs / 4 high-side outputs
Image memory	256 MB
Conformity	CE, FCC, RoHS
Driver	mvIMPACT Acquire SDK or any GigE Vision compliant interface
Special features	Enhanced color and I/O functionality, automatic gain / exposure control, binning, burst mode, video iris, lens control, pre-trigger recording, internal temperature sensors, screw lock connectors

mvBlueCOUGAR-XD - Hi-Res Models



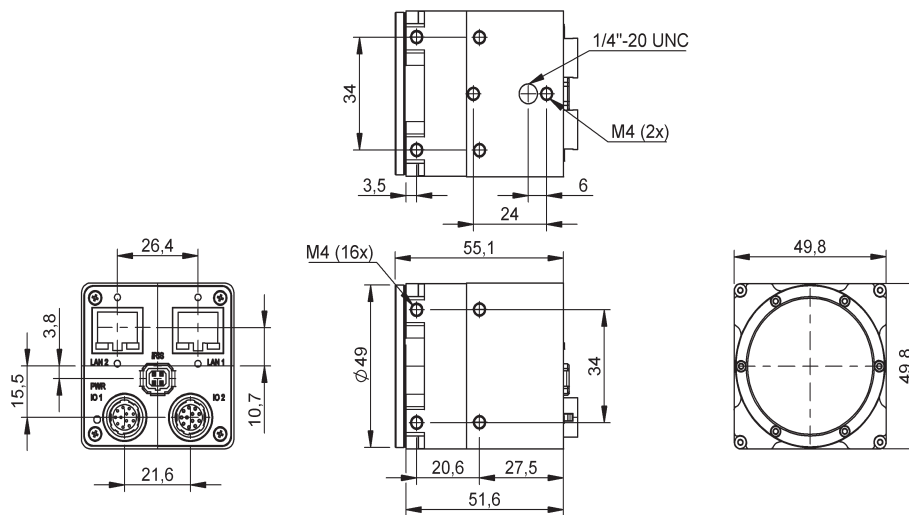
Dimensions in mm



Sensors

mvBlueCOUGAR-XD	Resolution (H x V pixels)	Sensor size (optical)	Pixel size (µm)	Frame rate	Sensor-technology	Readout type	ADC resolution / output in bits	Sensor	
-1016	G/C	5328 x 3040	1.1"	2.74 x 2.74	26.3 / 14.6 ¹	CMOS	Global	12 → 16/12/8	Sony IMX542
-1020a	G/C	4512 x 4512	1.1"	2.74 x 2.74	20.9 / 11.6 ¹	CMOS	Global	12 → 16/12/8	Sony IMX541
-1025	G/C	5328 x 4608	1.2"	2.74 x 2.74	17.6 / 9.6 ¹	CMOS	Global	12 → 16/12/8	Sony IMX540

¹ into memory / streaming



Dimensions in mm



Sensors

mvBlueCOUGAR-XD	Resolution (H x V pixels)	Sensor size (optical)	Pixel size (µm)	Frame rate	Sensor-technology	Readout type	ADC resolution / output in bits	Sensor	
-1031	G/C	6480 x 4856	APS-C	3.45 x 3.45	12 / 7.5 ¹	CMOS	Global	12 → 16/12/8	Sony IMX342

¹ into memory / streaming