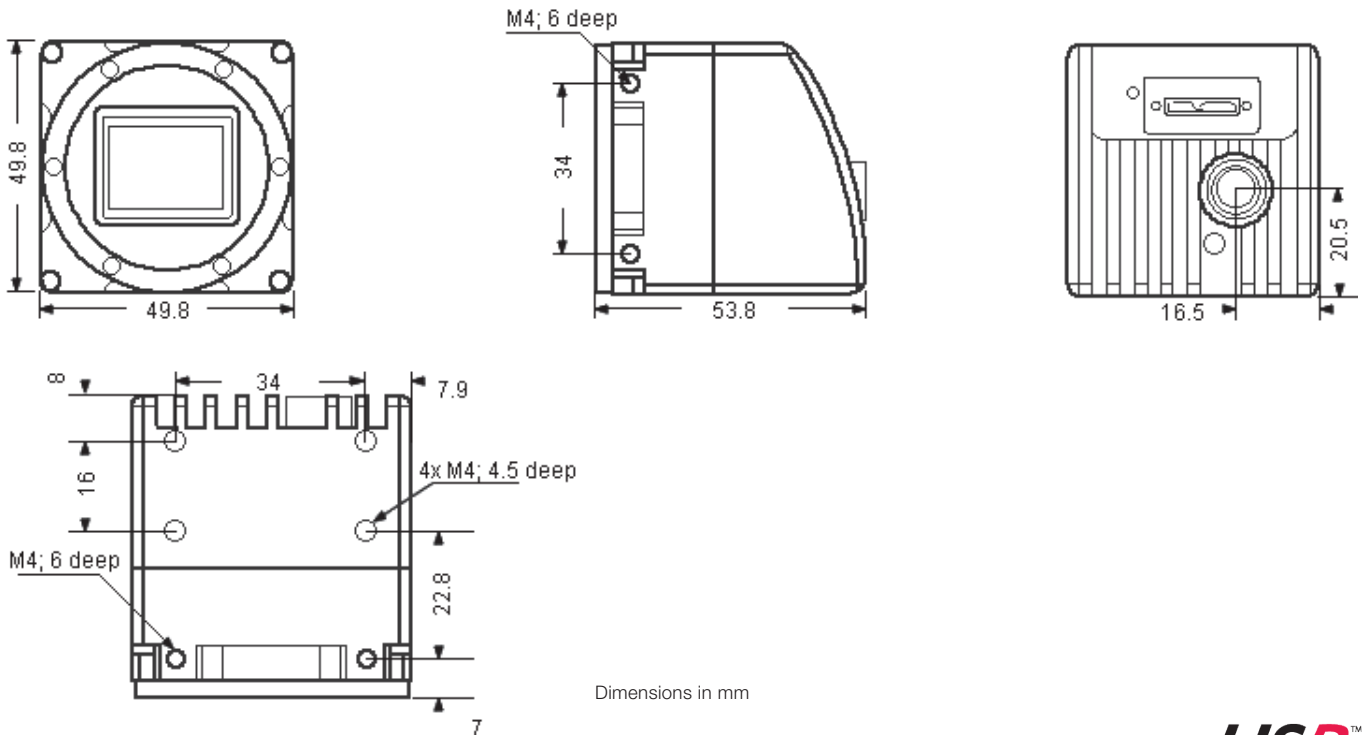


# mvBlueFOX3-4



## Sensors

BF3-4	Resolution (H x V pixels)	Sensor size (optical)	Pixel size (µm)	Frame rate	Sensor technology	Readout type	ADC resolution / output in bits	Sensor
-0169Z	G/C 5472 x 3080	4/3	3.45 x 3.45	22.5	CMOS	Global	12 / 12	Sony IMX387
-0196Z	G/C 4432 x 4432	4/3	3.45 x 3.45	19.3	CMOS	Global	12 / 12	Sony IMX367
-0315Z	G/C 6480 x 4856	APS-C	3.45 x 3.45	12	CMOS	Global	12 / 12	Sony IMX342

<sup>1</sup> Streaming frame rate (burst mode frame rates see website)

## Hardware Features

Protocol	Compliant to USB3 Vision
Interface	USB 2.0 / 3.0 (up to 480 Mbit/s / up to 5 Gbit/s)
Image formats	Mono8/10/12/14/16 BayerRG8, BayerRG10, BayerRG12, BayerRG16, BayerRG12p onboard color processing
Triggers	External, software based or free run
Size w/o lens (W x H x L)	49.8 x 49.8 x 55.3 mm
Weight w/o lens	approx. 175 g
Permissible ambient temperature	Operation: 0...45 °C / 30 to 80 % RH Storage: -20...60 °C / 20 to 90 % RH
Lens mounts	M42 flange focal distance 12mm; optional: F-mount, M42-mount or C-mount (only for sensor size 4/3")
Digital I/Os	2 opto-isolated inputs / 4 opto-isolated outputs
Image memory / Flash (firmware, calibration, user data)	256 MBytes, 16 MBytes
Conformity	CE, FCC, RoHS
Driver	mvIMPACT Acquire SDK or any USB3 Vision compliant interface or vision library for Windows®, Linux® (32 bit & 64 bit)
Special features	Burst mode, onboard color processing, frame average, robust housing with tripod mounting holes